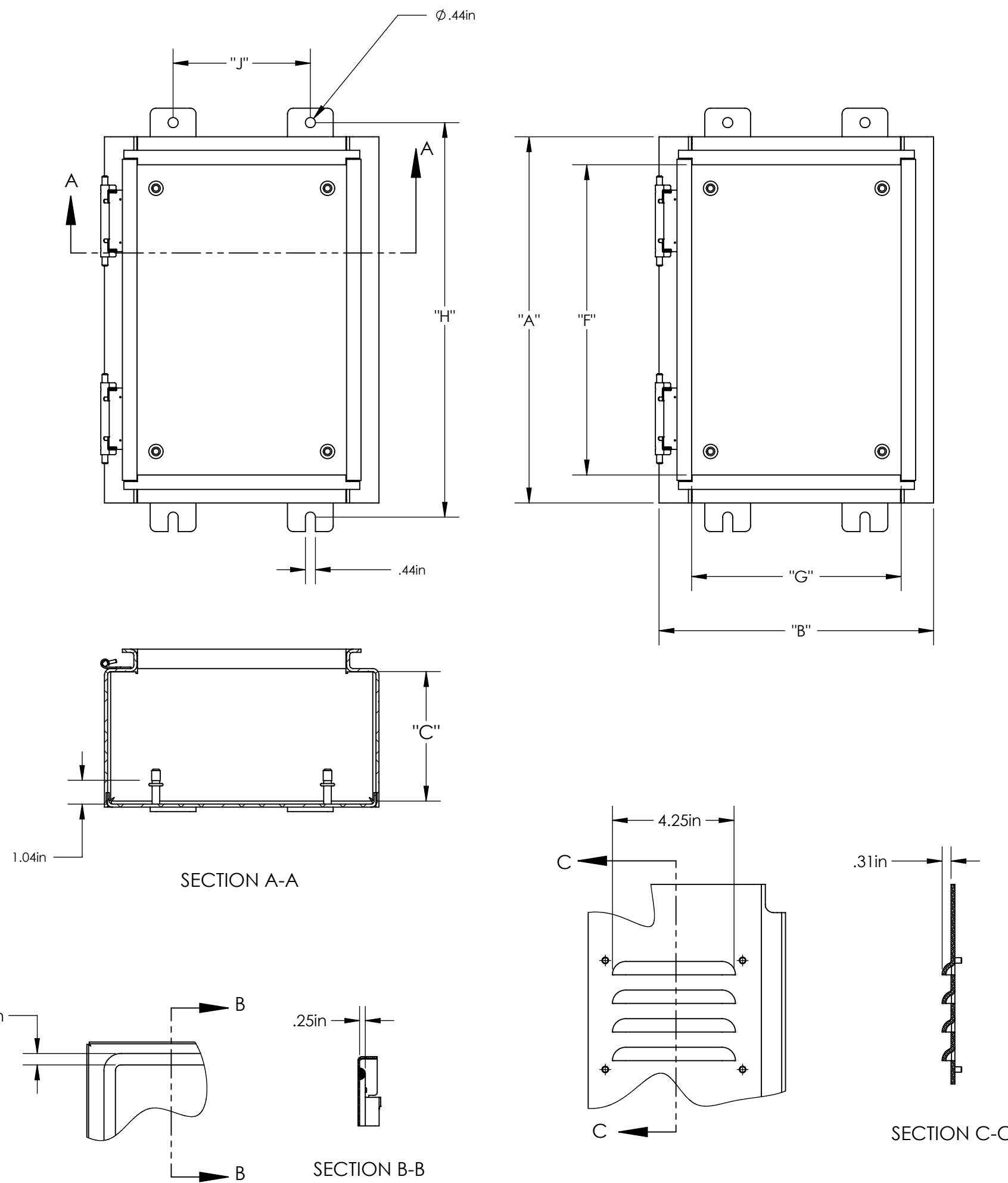


JANUS SERIES WALL MOUNT ENCLOSURES



VENTING AVAILABLE

DOOR GASKET

ORDERING CODE ENCLOSURES

Series

J Janus

Product

E Enclosure

Type

W Wall Mount

Size A (Height) INCHES

- 16 Inches
- 20 Inches
- 24 Inches
- 39 Inches
- 36 Inches
- 42 Inches

Size B (Width) INCHES

- 12 Inches
- 16 Inches
- 20 Inches
- 24 Inches
- 30 Inches

Size C (Depth) INCHES

- 6 Inches
- 8 Inches
- 10 Inches
- 12 Inches
- 16 Inches

Rating ENVIRONMENTAL

- T1PS Type 1 Painted Steel
- T1AL Type 1 Aluminum
- T3RPS Type 3R Painted Steel
- T3RAL Type 3R Aluminum
- T4PS Type 4 Painted Steel
- T4AL Type 4 Aluminum
- T4XSS Type 4X Stainless Steel

J E W 16 x 12 x 6 T1PS Ordering Example

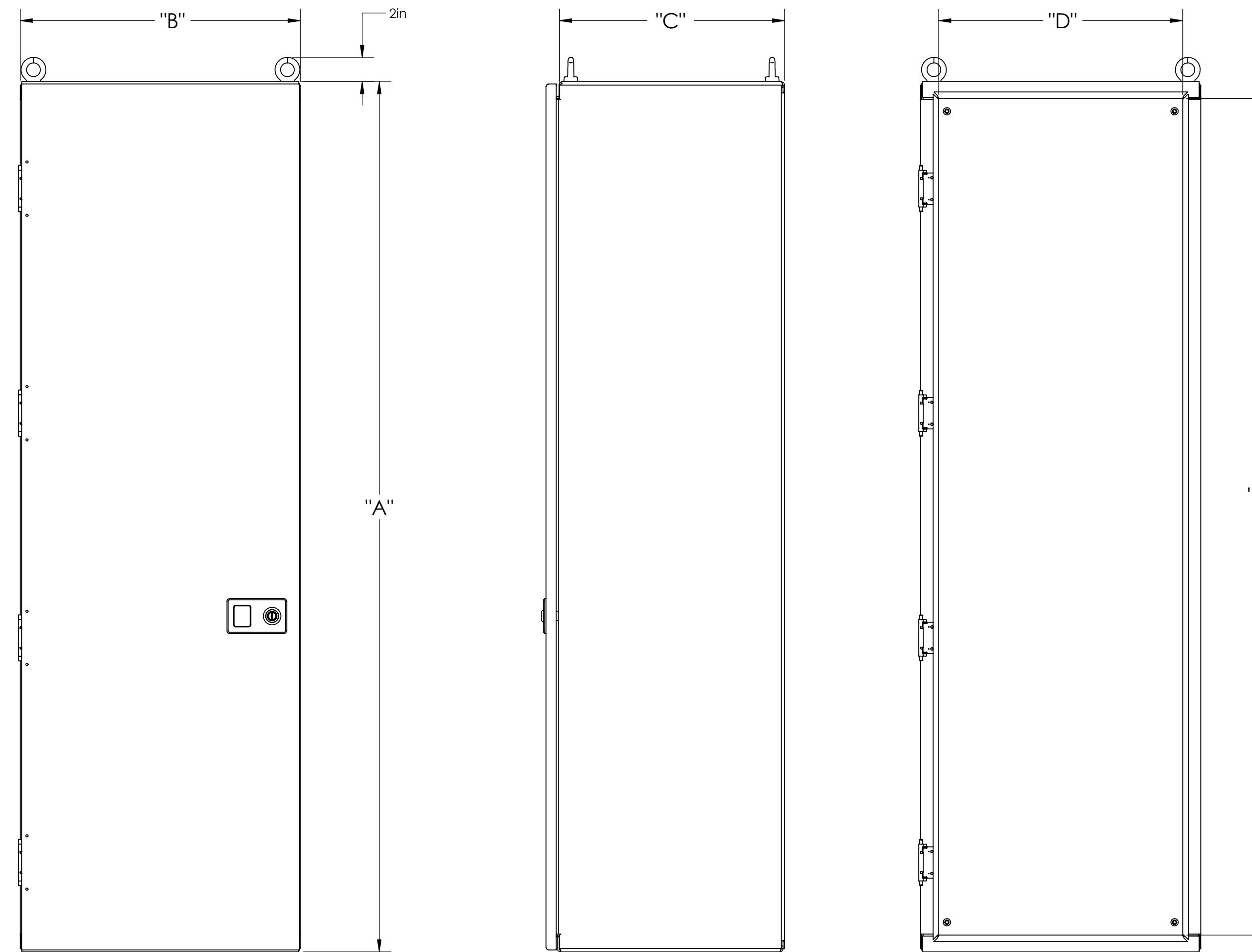
NOTES:

- MATERIAL PAINTED STEEL, ALUMINUM, STAINLESS STEEL
- TYPE 1 SPOT / STITCH WELDED WITH NO GASKET
- TYPE 3R, 4, 4X ALL SEAMS CONTINUOUSLY WELDED AND DOORS GASKETED
- GASKET UL CERTIFIED FOAM RUBBER
- POWDER COAT UL CERTIFIED ANSI 61 GREY FOR ENCLOSURE/ UL CERTIFIED WHITE FOR BACK PANEL.



CONFIDENTIAL NOTICE: THIS DOCUMENTATION IS CONFIDENTIAL AND CONTAINS PROPRIETARY INFORMATION AND INTELLECTUAL PROPERTY OF MCA FABRICATION. NEITHER THIS DOCUMENTATION NOR ANY OF THE INFORMATION CONTAINED HEREIN MAY BE REPRODUCED OR DISCLOSED UNDER ANY CIRCUMSTANCES WITHOUT THE EXPRESS WRITTEN PERMISSION OF MCA FABRICATION, WHO RESERVES THE RIGHT TO SEEK ENLARGING.

JANUS SERIES FLOOR MOUNT ENCLOSURES



DOOR REMOVED FOR CLARITY

ORDERING CODE ENCLOSURES

Series

J Janus

Product

E Enclosure

Type

F Floor Mount

Size A (Height) INCHES

60 Inches

Size B (Width) INCHES

24 Inches

32 Inches

40 Inches

Size C (Depth) INCHES

19 Inches

24 Inches

30 Inches

Rating ENVIRONMENTAL

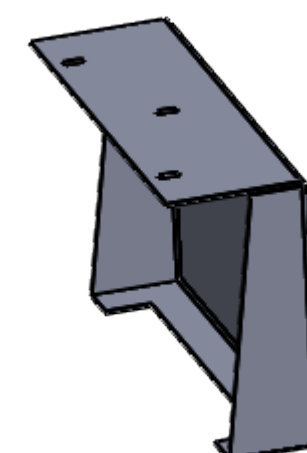
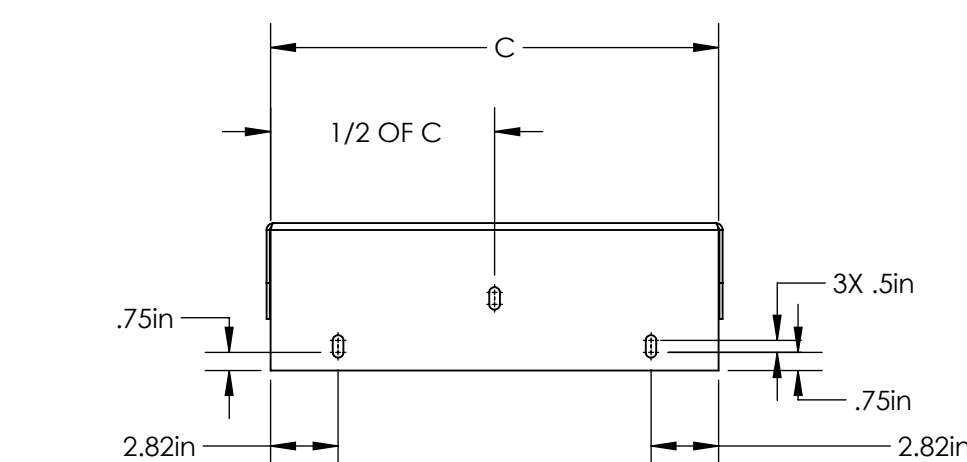
T1PS Type 1 Painted Steel

T1AL Type 1 Aluminum

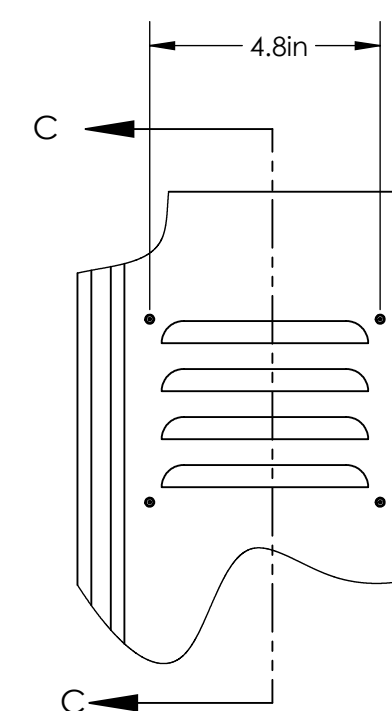
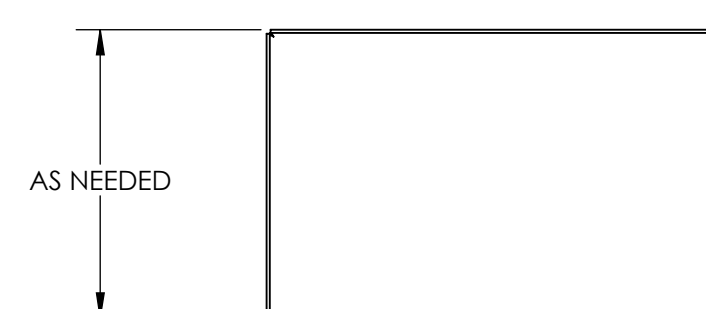
T3RPS Type 3R Painted Steel

T3RAL Type 3R Aluminum

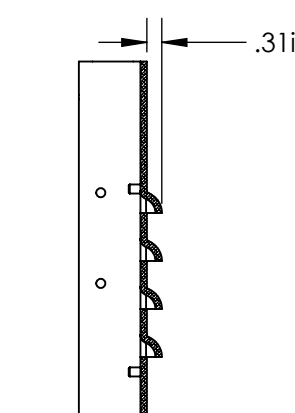
J E F 60 x 24 x 19 T1PS Ordering Example



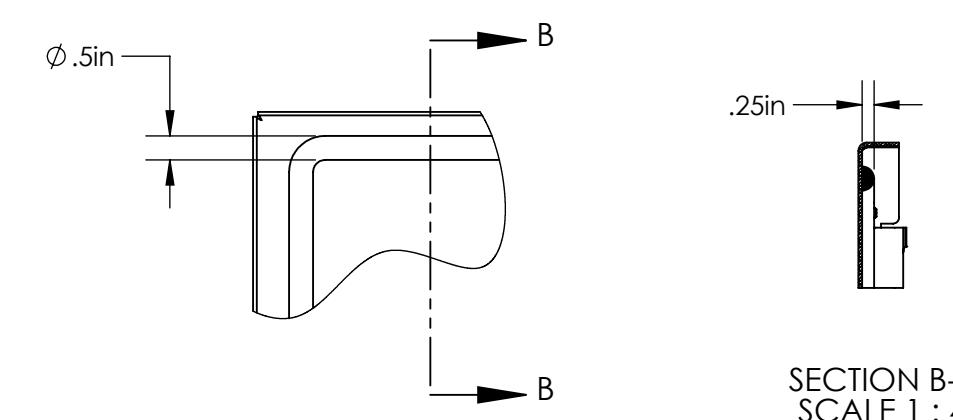
DETERMINED BY "B" DIMENSION



VENTING AVAILABLE



SECTION C-C
SCALE 1 : 4



SECTION B-B
SCALE 1 : 4

DOOR GASKET

NOTES:

- MATERIAL PAINTED STEEL, ALUMINUM, STAINLESS STEEL
- TYPE 1 SPOT / STITCH WELDED WITH NO GASKET
- TYPE 3R ALL SEAMS CONTINUOUSLY WELDED AND DOORS GASKETED
- GASKET UL CERTIFIED FOAM RUBBER
- POWDER COAT UL CERTIFIED ANSI 61 GREY FOR ENCLOSURE/ UL CERTIFIED WHITE FOR BACK PANEL.



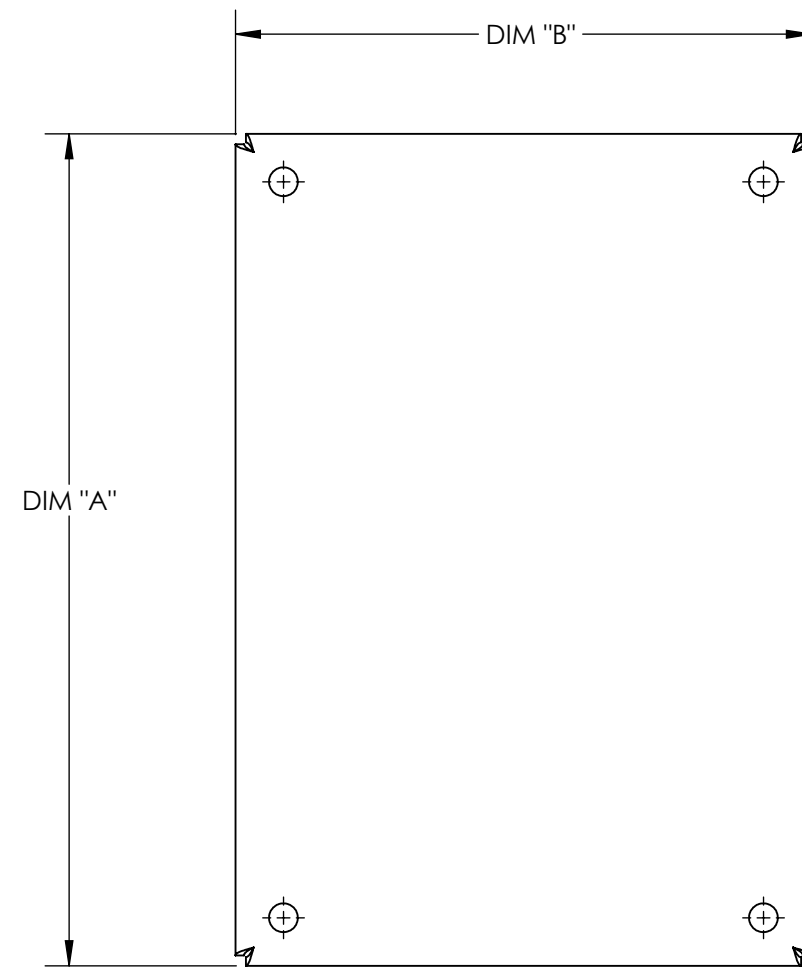
CONFIDENTIAL NOTICE: THIS DOCUMENTATION IS CONFIDENTIAL AND CONTAINS PROPRIETARY INFORMATION AND INTELLECTUAL PROPERTY OF MCA FABRICATION. NEITHER THE DOCUMENTATION NOR ANY OF THE INFORMATION CONTAINED HEREIN MAY BE REPRODUCED OR DISCLOSED IN ANY MANNER WITHOUT THE EXPRESS WRITTEN PERMISSION OF MCA FABRICATION, WHO RESERVES THE RIGHT TO SEEK INJUNCTIVE RELIEF.

JANUS SERIES ENCLOSURE ACCESSORIES

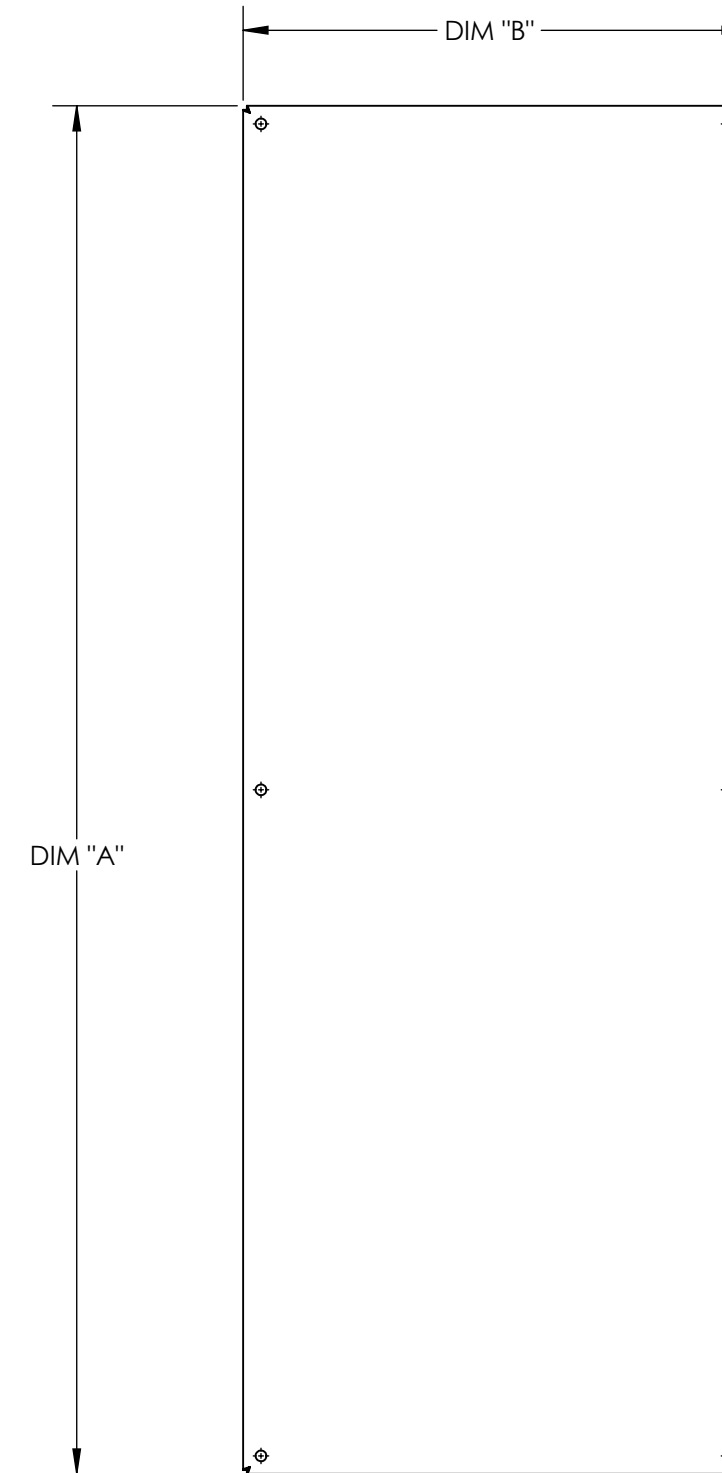
ORDERING CODE BACKPANS

Series	
J	Janus
Product	
E	Enclosure
Type	
W	Wall Mount
Accessory	
P	Backpanel
Size A (Height) INCHES	
16	Inches
20	Inches
24	Inches
30	Inches
36	Inches
42	Inches
Size B (Width) INCHES	
12	Inches
16	Inches
24	Inches
30	Inches
Rating ENVIRONMENTAL	
PS	Painted Steel
AL	Aluminum
SS	Stainless Steel
J E W P 16 x 16 PS	Ordering Example

JEW BACK PANEL



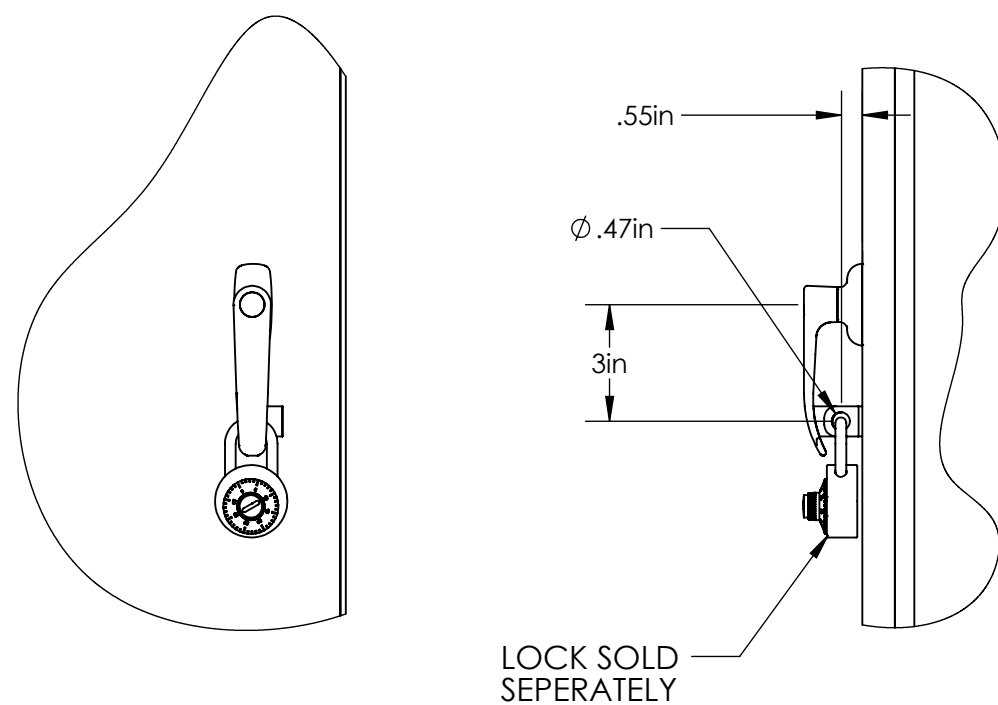
JEF BACK PANEL



ORDERING CODE BACKPANS

Series	
J	Janus
Product	
E	Enclosure
Type	
F	Floor Mount
Accessory	
P	Backpanel
Size A (Height) INCHES	
60	Inches
Size B (Width) INCHES	
24	Inches
32	Inches
40	Inches
Rating ENVIRONMENTAL	
PS	Painted Steel
AL	Aluminum
J E F P 60 x 24 PS	Ordering Example

JE OPTIONAL HANDLE



NOTES:

BACK PANEL

- MATERIAL PAINTED STEEL, ALUMINUM, STAINLESS STEEL
- POWDER COAT UL CERTIFIED ANSI 61 GREY OR UL CERTIFIED WHITE.

HANDLE FINISH OPTIONS

- POLISHED ALUMINUM
- ZINK ALLOY WITH BLACK POWER COAT
- ZINK ALLOY WITH CHROME PLATING



1300 South Spring Street, Manchester, TN 37355
www.mcafabrication.com
931-728-4671

CONFIDENTIALITY NOTICE: THIS DOCUMENTATION IS CONFIDENTIAL AND CONTAINS PROPRIETARY INFORMATION AND INTELLECTUAL PROPERTY OF MCA FABRICATION. NEITHER THIS DOCUMENTATION NOR ANY OF THE INFORMATION CONTAINED HEREIN MAY BE REPRODUCED OR DISCLOSED UNDER ANY CIRCUMSTANCES WITHOUT THE EXPRESS WRITTEN PERMISSION OF MCA FABRICATION, WHO RESERVES THE RIGHT TO SEEK INJUNCTIVE RELIEF.