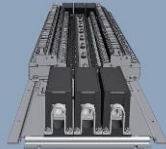


## MEDIUM VOLTAGE JUNCTION BOXES



Established in 1904 MCA Fabrication provides manufacturing services and produces electrical products in a 135,000 sqft facility located just outside Nashville.

POWER DISTRIBUTION  
PANELBOARDS



LOW VOLTAGE  
ENCLOSURES



MEDIUM VOLTAGE  
ENCLOSURES



CIRCUIT PROTECTION  
DEVICES



ENCLOSED  
DISCONNECTS



METAL FABRICATION  
SERVICES





Specializing in Standard and Custom Enclosures

Vertically Integrated Production  
All Production Processes In-House  
On-Site Product Design  
Flexible Manufacturing  
Fast Turnaround



# MV JUNCTION BOXES



## Certification

- UL File E519920
- UL508A & CSA 22.2 No 14-18
- Built to ANSI standards
- Type 3R

## Finish

- Enclosure Body – Munsell Green (standard)
- Backpanel – Sky White (standard)
- Custom colors available

## Construction

- All continuous welded seams finished smooth
- Heavy-duty hinges and hardware
- Formed lip around enclosure to divert liquids
- Parking stands (standard)
- Removable backpans
- Base extensions available



## ENCLOSURE ORDERING CODE

### Series

J Janus

### Product

E Enclosure

### Type

MV Medium Voltage

**Size A (Height)** INCHES

30 Inches

**Size B (Width)** INCHES

30 Inches

66 Inches

84 Inches

**Size C (Depth)** INCHES

22 Inches

J E MV 30 x 30 22 Ordering Example

## BASE ORDERING CODE

### Series

J Janus

### Product

B Base

### Type

MV Medium Voltage

**Size A (Height)** INCHES

30 Inches

**Size B (Width)** INCHES

30 Inches

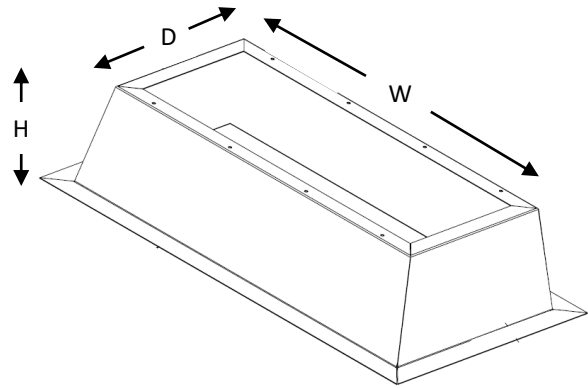
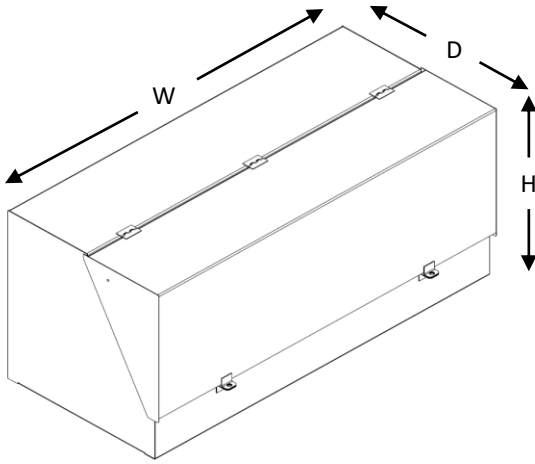
66 Inches

84 Inches

**Size C (Depth)** INCHES

22 Inches

J B MV 30 x 30 22 Ordering Example



## SELECTION CHART

### Single Phase

Dimensions	15kV - 200A			25kV & 28kV - 200A			35kV - 200A		
	2 way	3 way	4 way	2 way	3 way	4way	2 way	3 way	4 way
30H x 30W x 22D	X	X	X	X	X	X	X	X	X

Dimensions	15kV & 25kV - 600A			35kV - 600A		
	2 way	3 way	4 way	2 way	3 way	4way
30H x 30W x 22D	X	X	X	X	X	

### Three Phase

Dimensions	15kV - 200A			25kV & 28kV - 200A			35kV - 200A		
	2 way	3 way	4 way	2 way	3 way	4way	2 way	3 way	4 way
30H x 66W x 22D	X	X	X	X	X	X	X	X	

Dimensions	15kV & 25kV - 600A			35kV - 600A		
	2 way	3 way	4 way	2 way	3 way	4way
30H x 84W x 22D	X	X	X	X	X	